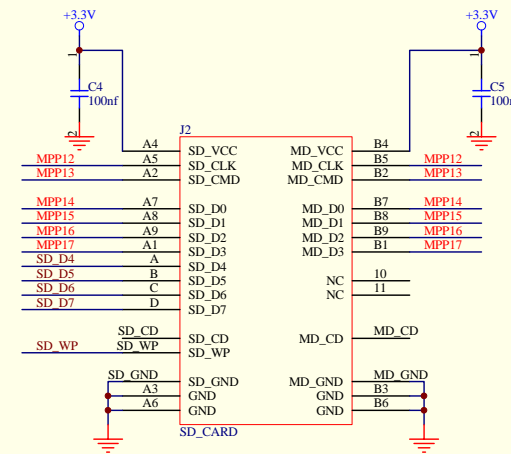
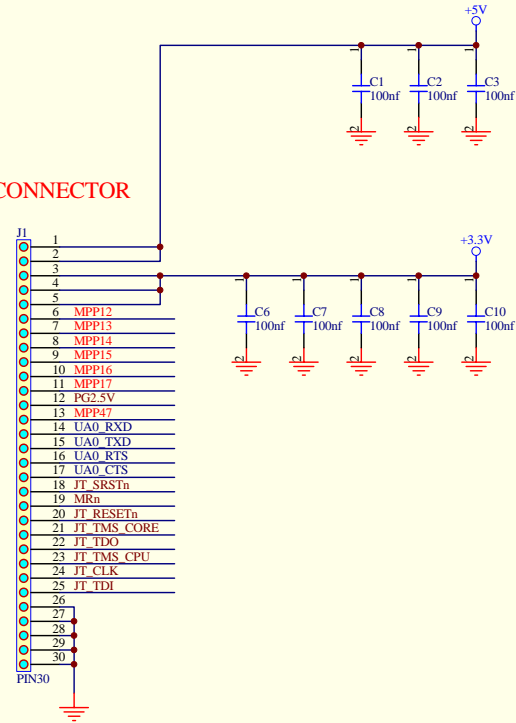
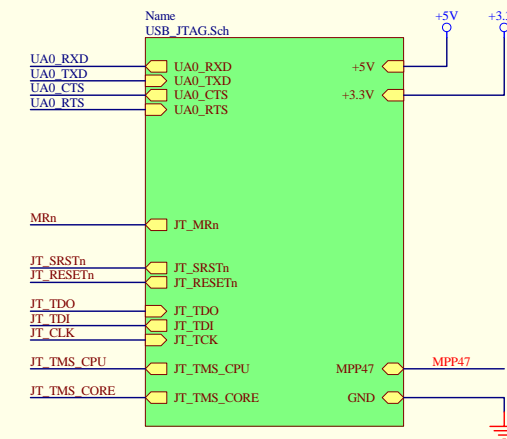
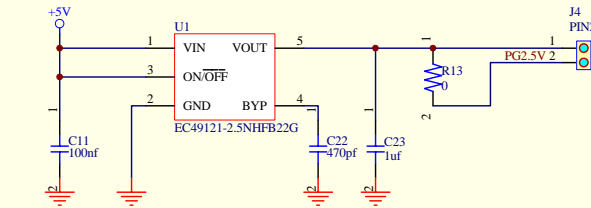
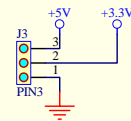
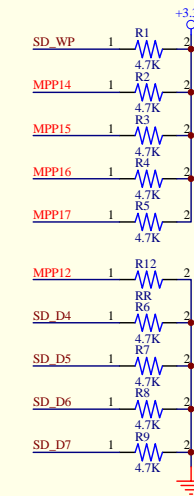


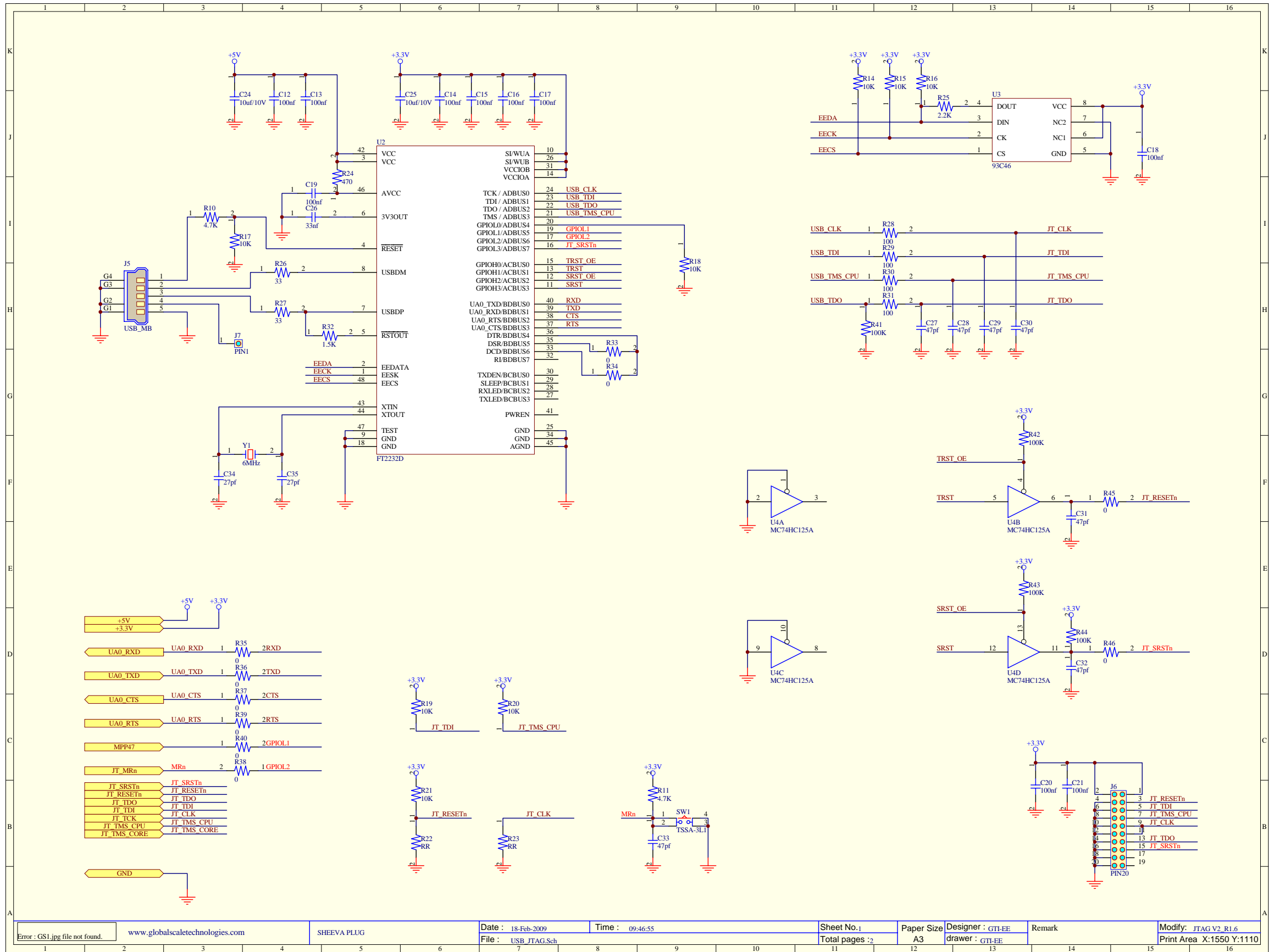
SHEEVA-JTAG-TEST BOARD V2

FPC CONNECTOR



SDCARD





Error : GS1.jpg file not found.

www.globalscaletechnologies.com

SHEEVA PLUG

Date : 18-Feb-2009

Time : 09:46:55

Sheet No.1

Paper Size A3

Designer : GTI-EE

Remark

Modify: JTAG V2_R1.6

File : USB_JTAG.Sch

Total pages : 2

Print Area X:1550 Y:1110